

PLANTER HITCH

BY  Schnell
Industries Inc.

**Compatible John
Deere Planter Models:**

1770

1775

1790

1795

7200*



*Only compatible with some models.

P + 204-331-3050
F + 204-331-3322
450 Roblin Blvd. East, Winkler, MB R6W 0H2, Canada
info@schnellindustries.ca
schnellindustries.ca



The Planter Hitch

The Planter Hitch is a hitch conversion from a 2-point mount to the draw-bar, designed to bridge the gap made by the increasing size of planters.

*Electrical harness and hydraulic lines will need to be extended when using this hitch.



Benefits

Planter hitch adapts to the ever-increasing size of planters

Provides easy operation with plenty of ground clearance

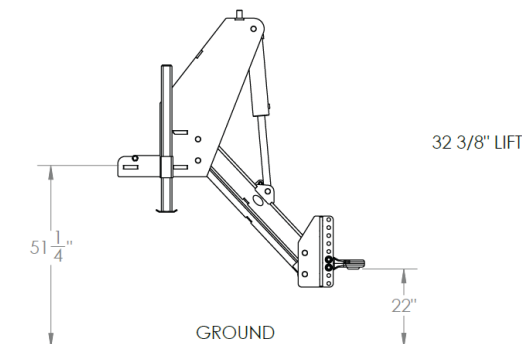
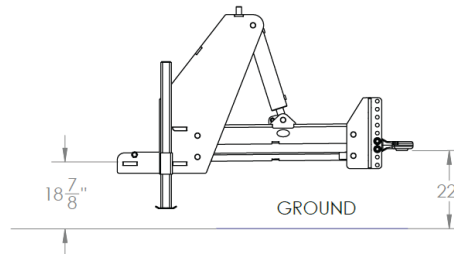
No welding or modification required on the planter

Features

Category 4 Pintle Hitch is standard on all hitches

Category 5 Pintle Hitch option available

Main side plates and hitch weldment $\frac{3}{4}$ " thick steel



Specifications

Weight: 921 lbs

Length: 83.5'

Width: 25'

Height: 50'